

SSD Series Electronic Valve Actuators



24 Vac, Floating or 0 to 10 Vdc Control
Spring Return and Non-Spring Return



SSD Series Spring Return Electronic Valve Actuator.



SSD Series Non-Spring Return Electronic Valve Actuator.

Description

Pressure Independent Control Series SSD Electronic Valve Actuators require a 24 Vac power supply and receive a floating control signal (SSD81...) or a proportional 0 to 10 Vdc signal (SSD61...) to control a valve. The 0 to 10V SSD61U actuator also accepts a 24 Vdc power supply.

These actuators are designed to work with 1/2- to 1-1/4 inch normally open and normally closed Pressure Independent Control Series Valves with a 2.5 mm or 5 mm stroke and a threaded valve bonnet that fits the actuator.

Features

- Floating or 0 to 10 Vdc control
- Spring return and non-spring return variants
- Automatic stroke calibration on the SSD61...
- Reduced power consumption in holding position
- Direct coupled installation; actuators mount on valves without tools or any adjustments required
- Manual override
- Visual position indication
- UL listed for plenum installation
- Maintenance-free, electromotoric actuator
- Plenum cable or 3/8" flex conduit connections

Applications

For use in heating and cooling HVAC applications with Pressure Independent Control valves that require >56 lbs. (250N) actuator force.

A-85

Valves

SSD Series Electronic Valve Actuators Specifications

Operating Voltage		
Vac	24 Vac ±20%	
Vdc (SSD61U only)	24 Vdc ±25%	
Frequency		
50/60 Hz		
Power Consumption (Normal Operation)		
SSD81U	0.8 VA max.	
SSD61U	2.5 VA max.	
SSDx1.5U	2 VA	
Control signal		
SSD81...	Floating	
SSD61...	0 to 10 Vdc	
Run Time		
	5 mm Stroke	2.5 mm Stroke
SSD81U	150 Seconds	75 Seconds
SSD61U	90 Seconds	45 Seconds
SSD81.5U	125 Seconds	70 Seconds
SSD61.5U	30 Seconds	15 Seconds
Spring Return		
	5 mm Stroke	2.5 mm Stroke
SSD81.5U	30 Seconds	15 Seconds
SSD61.5U	30 Seconds	15 Seconds

Nominal Stroke	5 mm
Nominal Force	
SSD81U, SSD61U	>56 lbs. (250N)
SSDx1.5U	>67 lbs. (300N)
Agency Approvals	
UL	UL873
cUL	Certified to Canadian Standard C22.2 No. 24-93
Ambient Temperature	
Operation	41°F to 122°F (5°C to 50°C)
Transport/Storage	-13°F to 158°F (-25°C to 70°C)
Humidity	
Operation	5 to 85% rh
Transport	<95% rh
Storage	5% to 95% rh

A-86

Valves

SSD Series Actuator Product Ordering

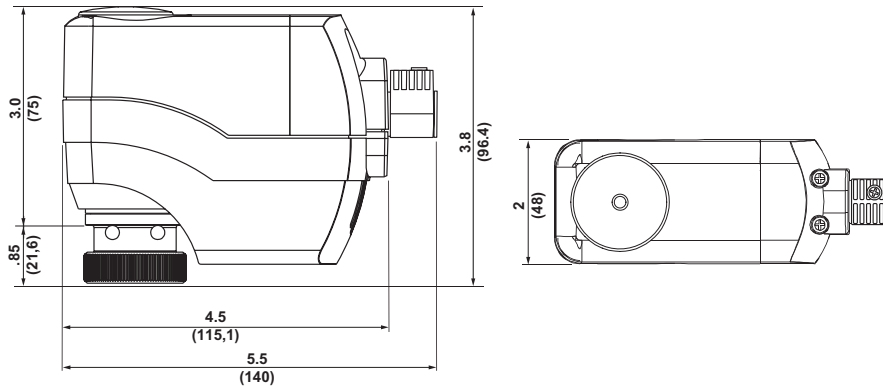
Description	Part No.	Actuator Prefix Code
Non-Spring Return		
Floating	SSD81U	230
0 to 10 Vdc	SSD61U	231
Spring Return		
Floating	SSD81.5U	232
0 to 10 Vdc	SSD61.5U	233

Accessories & Service Kits

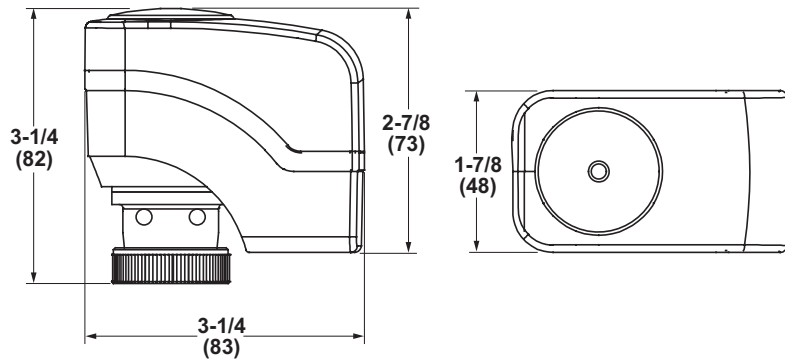
A-257

Dimensions

SSD Series Spring Return Actuator



SSD Series Non-Spring Return Actuator



Dimensions shown in inches (mm).